

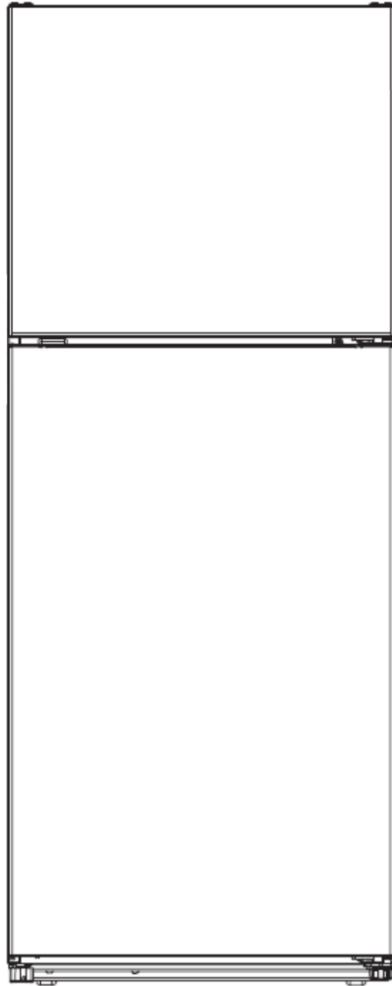
EVER❄CHILL

Built-in Vehicle

FROST-FREE REFRIGERATOR-FREEZER

INSTRUCTION MANUAL

Model No.: SRD-360WTG-ED

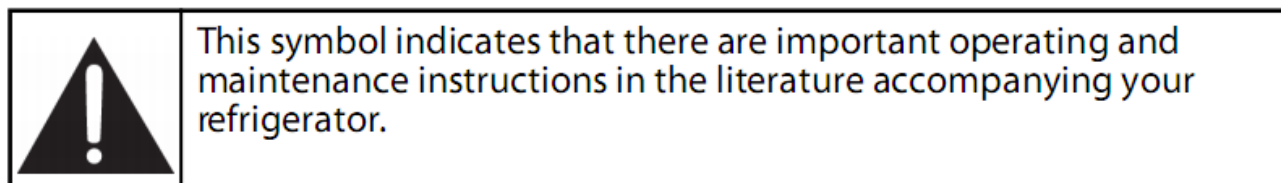
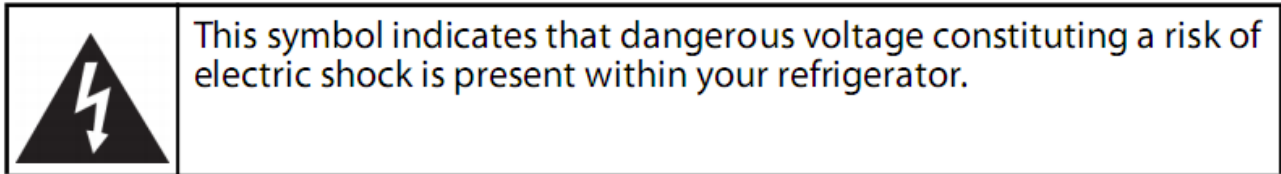
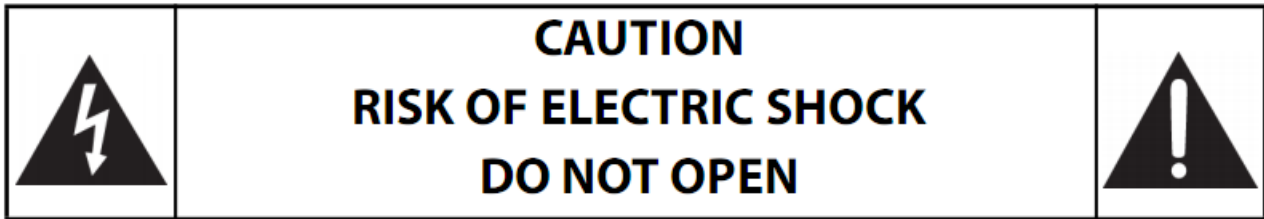


Dear users, this manual contains the product's basic information, how to use it, fault diagnosis and basic troubleshooting methods. In order to better understand and use this product, please take good care of this manual, and read it carefully.

CONTENTS

I. IMPORTANT SAFETY INSTRUCTIONS.....	3
II. FEATURES AND PARTS	5
III. PREPARATIONS FOR USE	5
IV. FUNCTIONS.....	8
V. INSTRUCTIONS FOR FOOD STORAGE.....	10
VI. MAINTENANCE AND CLEANING	11

I. IMPORTANT SAFETY INSTRUCTIONS



WARNINGS

1. Read these instructions.
2. Keep these instructions.
3. Heed all warnings.
4. Follow all instructions.
5. Do not use your refrigerator near water.
6. Clean only with a damp cloth.
7. Do not block any ventilation openings. Install in accordance with the manufacturer's instructions.
8. Do not install near any heat sources, such as radiators, heat registers, stoves, or other apparatus (including amplifiers) that produce heat.
9. Refer all servicing to qualified service personnel. Servicing is required when your refrigerator has been damaged in any way, such as spilled liquid or fallen objects into the refrigerator, your refrigerator has been exposed to rain or moisture, does not operate normally, or has been dropped.
10. To reduce the risk of fire or electric shock, do not expose your refrigerator to rain, moisture, dripping, or splashing. No objects filled with liquids should be placed on top of the refrigerator.
11. Your refrigerator is not intended for use by any person (including children) with reduced physical, sensory, or mental capabilities, or lack of experience and knowledge, unless given supervision or instruction concerning use of your refrigerator by a person responsible for their safety.
12. Children should be supervised to ensure that they do not play with your refrigerator.



ELECTRIC SHOCK HAZARD

Failure to follow these instructions can result in electric shock, fire, or death.

- 1.WARNING**—Keep ventilation openings, in both your refrigerator and the built-in structure, clear of obstruction.
- 2.WARNING**—Do not touch the interior of your refrigerator with wet hands. This could result in frostbite.
- 3.WARNING**—Do not use mechanical devices or other means to accelerate the defrosting process, other than those recommended by the manufacturer.
- 4.WARNING**—Do not damage the refrigerant circuit.
- 5.WARNING**—Do not damage the refrigerant tubing when handling, moving, or using your refrigerator.
- 6.WARNING**—DANGER—Never allow children to play with, operate, or crawl inside your refrigerator.

Risk of child entrapment. Before you throw away your old refrigerator:

- Take off the door.
- Leave the shelves in place so that children may not easily climb inside.

- 7. **WARNING**-Do not use electrical appliances inside the food storage compartments of the appliance unless they are of the type recommended by the manufacturer.
- 8. Disconnect the power source from your refrigerator before carrying out user maintenance on it.
- 9.If a component part is damaged, it must be replaced by the manufacturer, its service agent, or similar qualified persons in order to avoid a hazard.
- 10.Follow local regulations regarding disposal of your refrigerator due to flammable refrigerant and gas. All refrigeration products contain refrigerants, which under the guidelines of federal law must be removed before disposal. It is the consumer's responsibility to comply with federal and local regulations when disposing of this product.
- 11. Do not store explosive substances such as aerosol cans with a flammable propellant in this appliance.
- 12. This appliance is intended to be used in the recreational vehicle.
- 13. **When user cannot open the door at one side, please check if the other side of the door is fully closed. It is a must that one side of the door is fully closed, then user is allowed to open the other side.**

POWER SOURCE REQUIREMENT

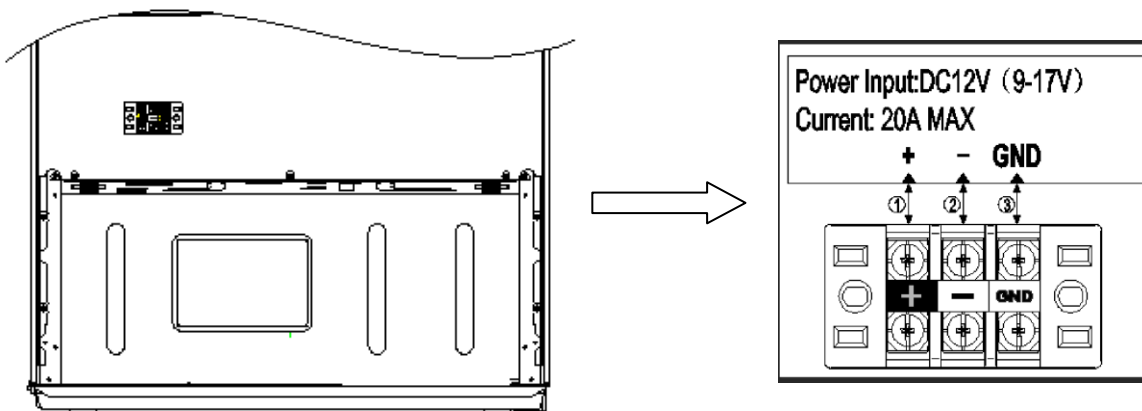
This appliance is a Class III appliance, it must only be connected to a 12 volt circuit.. It should have a circuit breaker for full disconnection between the appliance and power supply mains. Before use, the appliance should be disconnected from main power supply, and wiring connections should be made according to the wiring diagram. Do not connect the unit to an AC power supply.

For normal use, the connection to the power source connection must meet the following requirements:

Wire size	The max length (Feet)
14 AWG	3.2 Feet
13 AWG	8 Feet
12 AWG	13 Feet
10 AWG	20 Feet
8 AWG	33 Feet
6 AWG	50 Feet
Remarks	14 AWG wire is not recommended. 13 AWG wire or larger is recommended.
	This DC unit is not equipped with a power source. Please purchase a power source from an authorized dealer.

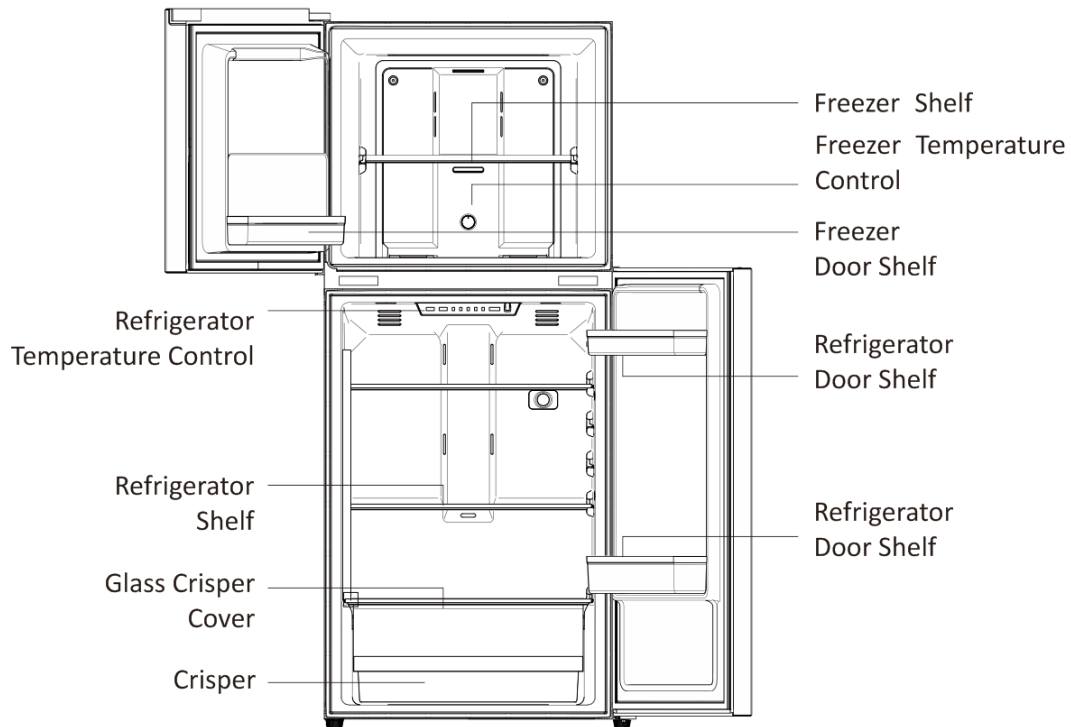
- 1. When using an adaptor or converter AC to DC, No DC power supply is recommended.
- 2. It is recommended that only authorized or qualified professionals perform repair services on unit.

WIRE CONNECTION DIAGRAM



- 1. Connect ① terminal with Positive pole of 12V DC.
- 2. Connect ② terminal with Negative pole of 12V DC.
- 3. If the unit is installed in an RV, the ③GND terminal should be connected directly to the RV chassis..

II. Features and parts



III. Preparations for use

Installation location:

1. Ventilation condition

The position you select for the refrigerator installation should be well-ventilated and minimal hot air. Do not locate the unit near a heat source such as cooker, and keep it from direct sunlight, thus guaranteeing the refrigerator effect while saving energy consumption.

Note: The amount of refrigerant charged for the unit can be found on the nameplate.

2. Heat dissipation space

When working, the unit gives off heat to surroundings. Therefore, minimum 25.4mm (1.0") of free space should be spared at the top side, minimum 25.4mm (1.0") on both sides, and minimum 25.4mm (1.0") at the back side of the refrigerator.

Dimensions suggested below:

W	D	H	A	B	C(°)	E	F
601mm (23.7")	668.4mm (26.3")	1520mm (59.8")	888mm (35.0")	1220mm (48.0")	118±2	minimum 25.4mm (1.0")	minimum 25.4mm(1.0")

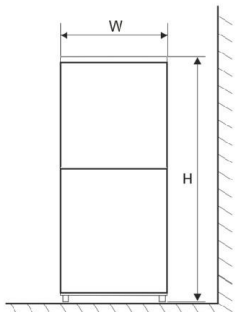


Fig. 1

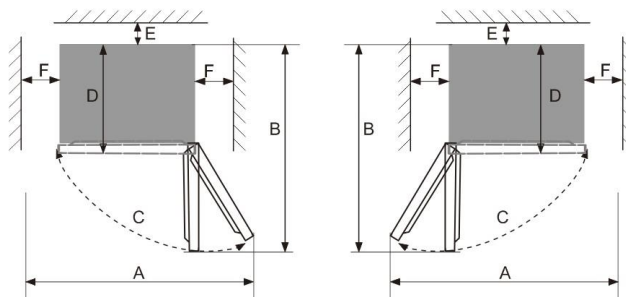


Fig. 2

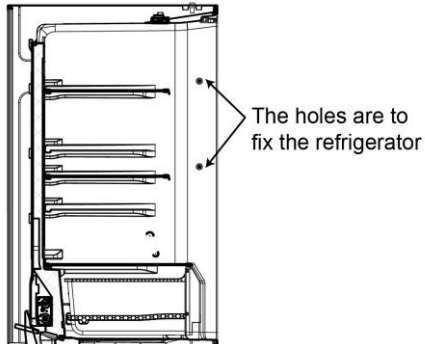
Note: Figure 1, Figure 2 only illustrates the space demand of the product.

3. Level ground

Place the refrigerator on a solid and flat surface to keep it stable.

4. Fixing the refrigerator to the cabinetry

The user can install the screw into the holes on the inner compartment to fix the refrigerator to the RV cabinetry, please see below photos:



5. Fixing the glass shelves in the refrigerator room and freezer room

The glass shelves in the refrigerator compartment and freezer compartment will be fixed in production. For safety consideration, the glass shelves are prohibited to move.

6. Dual swing door open structure



This product is with dual swing door open structure. The user can open the door freely at both the left and right side.

WARNING:

To prevent the door from coming off of the pivot hinge points, PLEASE adhere to the following instructions.

- Users should not attempt to actuate both door latches simultaneously.
- Only open from one side or the other.
- Once one side is open, don't attempt to actuate the other latch, or the door will become disengaged from the pivot point.



Unobstructed ventilation shall be maintained around the unit or in an embedded structure.

Preparations for use

1. Standing time

After the refrigerator is properly installed and well cleaned, do not switch it on immediately. Make sure to energize the refrigerator after more than 1 hour standing, so as to ensure its normal operation.

2. Cleaning

Make sure the accessory parts inside the refrigerator are present and the inside is wiped with a soft cloth.

3. Power-on

Connect the refrigerator power supply to the dedicated power supply battery in the RV, then the compressor will start working. After 1 hour, open the freezer door, if the compartment internal temperature drops significantly, it indicates the refrigeration system is working normally.

4. Storage of food

After the refrigerator runs for a period of time, the internal temperature of the refrigerator will be automatically controlled according to the user's temperature setting. After the refrigerator is fully cooled, put in foods, which usually need 2~3 hours to be fully cooled. In summer, when the temperature is high, it takes more than 4 hours for the foods to be fully cooled (Try to open the refrigerator door as little as possible before the internal temperature cools down).

Tips for special installation

Moving the refrigerator/freezer

•Location

Do not place your refrigerator/freezer near a heat source, e.g. cooker, boiler or radiator. Keep it from direct sunlight .

•Leveling

Make sure to level your refrigerator/freezer using the front leveling feet. If not leveled, the refrigerator/freezer door gasket sealing performance will be affected, or it may even lead to the operating failure of your refrigerator/freezer. After locating the refrigerator/freezer in position, allow the refrigerant to settle.

•Installation

Do not cover or block the vents or grilles of your appliance.

When you are not in the RV for a long time

•If the appliance will not be used for several months, turn it off first, and then disconnected the power source.

•Take out all foods.

•Clean and dry the interior thoroughly. To prevent odor and mold growth, leave the door ajar: block it open or have the door removed if necessary.

•Keep the cleaned appliance in a dry, ventilated place and away from heat source. Place the appliance smoothly, and do not place heavy objects on top of it.

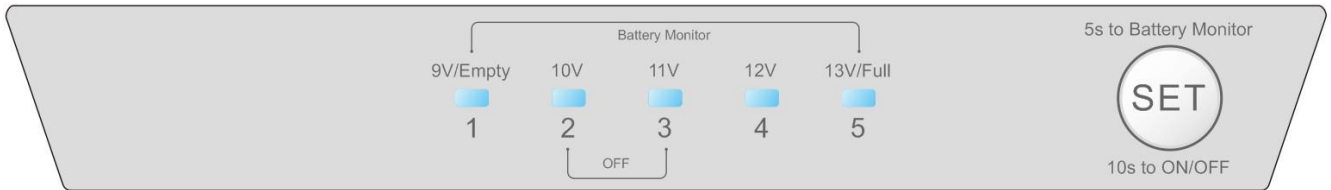
•The unit should not be accessible to child's play.

IV. Functions

When the refrigerator system is connected to the power supply for the first time, all icons on the display panel gets illuminate for 3s.

1. Functions

1.1 Temp. setting



“SET” is the key to set temperature mode. Every time this key is pressed, the current indicator light will be off, with the next indicator light illuminated; and when the door is closed, the temperature mode setup will be validated. Once the setting takes effect, the temperature will be controlled accordingly, with the corresponding indicator light normally ON. The temperature setting progresses through the following cycle: 1→2→3→4→5→1→2→3→4→5.

Temperature Setting Recommendation		
	Freezer compartment	Fresh food compartment
Summer		
	Set Left side	Set on 2
Spring & Autumn		
	Set on Optimal	Set on 3
Winter		
	Set Right Side	Set on 3

1.2 Power Off

1) After the “Power Off” function of the refrigerator is enabled, the mode indicator lights "2" and "3" will be on. When the refrigerator is at “Power Off” state, the lighting lamp will be off, with no cooling and defrosting action to be performed. Users can set this function when they are on holiday for a short time.

⚠ Before setting this function, be sure to take out all the items in the refrigerator

2) To enable the “Power Off” function:

- Press and hold down the ‘SET’ button for

10s. 3) To exit the “Power Off” function:

- When the ‘Power Off’ function is active, press and hold down the ‘SET’ button for 10s.

1.3 Battery Monitor

1) The "Battery Monitor" function can display the current input voltage value of the refrigerator, helping the user understand the current battery level.

2) Enable the "Battery Monitor" function:

Press and hold down the "SET" button for more than 5 seconds (but within 10 seconds);

3) Exit the "Battery Monitor" function:

After the "Battery Monitor" function is activated, press "SET" shortly then can exit the function

4) After the "Battery Monitor" function is enabled, the current input voltages of the refrigerator will be indicated as below:

Voltage values	Indicators
<10V	"1" FLASHING
10V - 11V	"2" FLASHING
11V - 12V	"3" FLASHING
12V - 13V	"4" FLASHING
≥13V	"5" FLASHING

1.4 Power cut memory

In case of power outage, the refrigerator will maintain the running state that is set before power failure after the power recovery.

1.5 Power-on delay

In order to protect the refrigerator compressor from being damaged in case of short-time power failure, the compressor will start after it is powered on for 5 minutes.

1.6 Overvoltage or undervoltage protection

In order to prevent damage to the refrigerator and the battery caused by abnormal or insufficient battery voltage, the refrigerator is designed with undervoltage and overvoltage protection function, so that the refrigerator will be compulsorily powered off or the compressor will be shut down for protection once this function is activated, with the corresponding alarm indicator ON. (See the following self-checking function table)

1.7 Self-checking function

1) The refrigerator is designed with self-checking function. In case of failure, the indicator will be flashing for alarm purpose.

2) Indicator alarm rules are as follows:

S/N	Fault Display	Item Information
1	Fridge sensor fault	Indicator light "1" keeps flashing
2	Ambient temp. sensor fault	Indicator light "2" keeps flashing
3	Freezer defrosting sensor fault	Indicator light "3" keeps flashing
4	Undervoltage alarm	Indicator light "4" keeps flashing
5	Overvoltage	Indicator light "5" keeps flashing
6	Fan failure	Indicator light "1" and "3" keeps flashing

3) When the refrigerator indicator lights are flashing in the above manner, please contact for maintenance;

V. Instructions for food storage

Precautions for use

- The appliance might not operate consistently (there is possibility of defrosting or temperature becoming too warm in the frozen food compartment) when for an extended period of time below the cold limit of the temperature range for which the refrigerating appliance is designed
- The internal temperature could be affected by such factors as the location of refrigerating appliance, ambient temperature, and frequency of door open, etc., and if appropriate, a warning that setting of any temperature control device might have to be varied to allow for these factors should be made.
- Drinks should not be stored in the freezer compartment or the low-temperature compartment.

Food storage location

Due to the cold air circulation in the refrigerator, the temperature of each area in the refrigerator is different, so different kinds of food should be placed in different areas.

The fresh food compartment is suitable for the storage of such foods as need not to be frozen, the cooked food, beer, eggs, some condiments that need cold preservation, milk, fruit juice, etc. The crisper box is suitable for the preservation of vegetables, fruits, etc.

The freezer compartment is suitable for the storage of ice cream, frozen food and the foods to be preserved for a long time.

Use of the fresh food compartment

Set the temperature of the fresh food storage compartment between 33.8F ~ 42.8F, and store the foods that are intended for short-term storage, or to be eaten at any time in the fresh food compartment.

Fridge shelf: When removing the shelf, lift it up first, and then pull it out; and when installing the shelf, place it into position before putting it down. Keep the shelf rear flange upward, to prevent foods from contact the liner wall. When taking out or putting in the shelf, hold it firmly, and handle with care to avoid damage.

Crisper box: Pull out the crisper box for access to food. After using or cleaning the cover plate of the crisper box, be sure to put it back onto the crisper, so that the internal temperature of the crisper box will not be affected.

Cautions for food storage

Before foods are put in the refrigerator, it is advisable to seal them up, so as to prevent water evaporation to keep fresh fruits and vegetables on one hand, and prevent taint of odor on the other hand.

Do not over pack the refrigerator compartment. Keep enough space between foods; if too close, the cold air flow will be blocked, thus affecting the refrigeration effect. When storing the foods, keep a distance away from the inner wall; and do not place water-rich foods too close to the fridge rear wall, lest they get frozen on the inner wall.

Categorized storage of foods. Foods should be stored by category, with the foods you eat every day placed in front of the shelf, so that the door open duration can be shortened and food spoilage due to expiration can be avoided.

Energy-saving tips: Allow hot food to cool down to room temperature before putting it in the refrigerator. Put the frozen food in the fresh food compartment to thaw, using the low temperature of the frozen food to cool the fresh food, thus saving energy.

Storage of fruits and vegetables

In the case of refrigerating appliances with chill compartment, a statement to the effect that some types of fresh vegetables and fruits are sensitive to cold and therefore are not suitable for storage in this kind of compartment should be made.

Use of the frozen food storage compartment

The freezer temperature is controlled below 3.2F, and it is advisable to store the food for long-term preservation in the freezer compartment, but the storage duration indicated on the food packaging should be adhered to.

The freezer drawers are used to store food that needs to be frozen.

Energy saving tips

- Let hot foods cool to room temperature before placing in the refrigerator.
- Be sure to wrap foods properly, and wipe container dry before placing them in the refrigerator. This cuts down on frost build-up inside the refrigerator.
- Organize and label food to reduce door openings and extended searches.

VI. Maintenance and cleaning



When cleaning, Do not reach your hands into the bottom of the refrigerator, as you could be scratched by sharp metal corners.

Internal cleaning and external cleaning

Any food residue in the refrigerator is liable to produce bad odor, so the refrigerator must be cleaned regularly. The fresh food compartment is usually cleaned once a month.

Remove all shelves, crisper box, bottle racks, cover board, and drawers etc., and clean them with a soft towel or sponge dipped in warm water or neutral detergent.

Clear off the dust accumulated on the rear panel and side plates of the refrigerator often.

After using detergent, be sure to rinse it with clean water, and then wipe it dry.



Do not use bristle brush, steel wire brush, detergent, soap powder, alkaline detergent, benzene, gasoline, acid, hot water and other corrosive or soluble items to cleanse the cabinet surface, door gasket, plastic decorative parts, etc., so as to avoid damage.

Carefully wipe dry the door gasket, clean the groove. After the cleaning, fix the four corners of the door gasket first, and then embed it segment by segment into the door groove.

Interruption of power supply or failure of the refrigerating system

•Take care of the frozen foods in the event of an extended non-running of the refrigerating appliance (such as interruption of power supply or failure of the refrigerating system).

•Try to open the refrigerator door as little as possible, this way food can safely and freshly be kept for hours even in hot summer.

•If you get the power outage notice in advance:

- 1) Adjust the thermostat knob to the high mode an hour in advance, so that foods get fully frozen (Do not store new food during this time). Restore the temperature mode to the original setting when power supply becomes normal in a timely manner.
- 2) You can also make ice with a watertight container, and put it in the upper part of the freezer, so as to extend the time for fresh food to be stored.

Defrosting

This appliance is designed with automatic defrosting function, thus no need to defrost it manually.

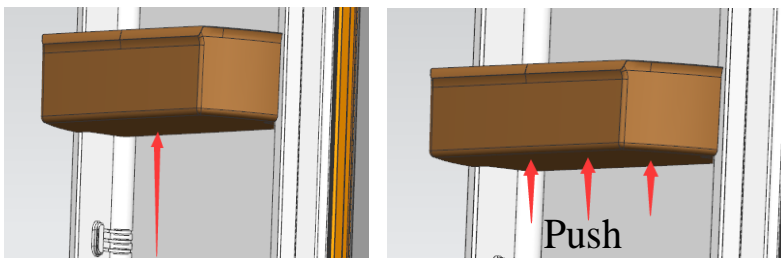
Changing the lamp

The LED lamp is used by the refrigerator for lighting, which features low energy consumption and long service life. In case of any abnormality, please contact the after-sales personnel service.

How to disassemble the parts.

Fridge door bottle rack:

Hold the bottle rack with both hands, and then push it up.



You can solve many common refrigerator problems easily, saving you the cost of a possible service call.

Try the suggestions below to see if you can solve the problem before calling for service.

Trouble Symptom	Probable Causes	Solutions
·Completely non-refrigeration	<ul style="list-style-type: none"> • Power source connected is OK? •Are breakers and fuses broken? •No electricity or line trip? 	<ul style="list-style-type: none"> • Refer to the wiring diagram, check the power wiring connection. •Opening the door and checking whether the lamp is lit. • Check fuse
Abnormal noise	<ul style="list-style-type: none"> •Is refrigerator stable? •Does refrigerator contact the wall? 	<ul style="list-style-type: none"> •Adjusting refrigerator's leveling feet. •Off the wall.
·Poor refrigerating efficiency	<ul style="list-style-type: none"> •Do you put hot food or too much food? •Do you open the door frequently? •Do you clip food bag to the door gasket? •Direct sunlight or near a furnace or stove? •Is it well-ventilated? •Temperature setting in too high? 	<ul style="list-style-type: none"> •Putting food into refrigerator when hot food becomes cool. •Checking and closing the door. •Removing the refrigerator from the heat source. •Emptying the distance to maintain good ventilation. . •Setting to the appropriate temperature.
·Peculiar smell in refrigerator	<ul style="list-style-type: none"> •Any spoiled food? •Do you need to clean refrigerator? •Have you packed food with strong flavors? 	<ul style="list-style-type: none"> •Throwing away spoiled food. •Cleaning refrigerator. •Packing food with strong flavors.
Refrigerator not cooling;	Are indicator lights "2" and "3" on? Is the 'Power Off' function activated?	Press the corresponding key to exit the 'Power Off' function.
Compressor fault ;	Does the battery have sufficient electricity?	1) Check if the battery power ever falls below 9V, it may lead to the compressor undervoltage protection, charge or replace the battery if necessary. 2) If the battery level is high (above 11V), or the battery with sufficient power has been replaced, wait for 5 minutes to observe whether it can return to normal; if not, please contact the after-sales personnel for service.



Note: If the above descriptions are inapplicable to troubleshooting, do not disassemble and repair it yourself. Repairs carried out by inexperienced persons may cause injury or serious malfunctioning. Contact the local store where your purchase was made. This product should be serviced by an authorized engineer and only genuine spare parts should be used.

When the refrigerator is not in use for long periods, disconnect from the electricity supply, empty all foods and clean it, leaving the door ajar to prevent unpleasant smells.



3002 Coast Ct

Elkhart, IN 46514

574-971-4490